



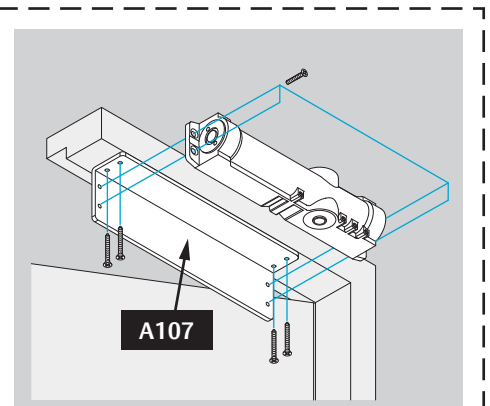
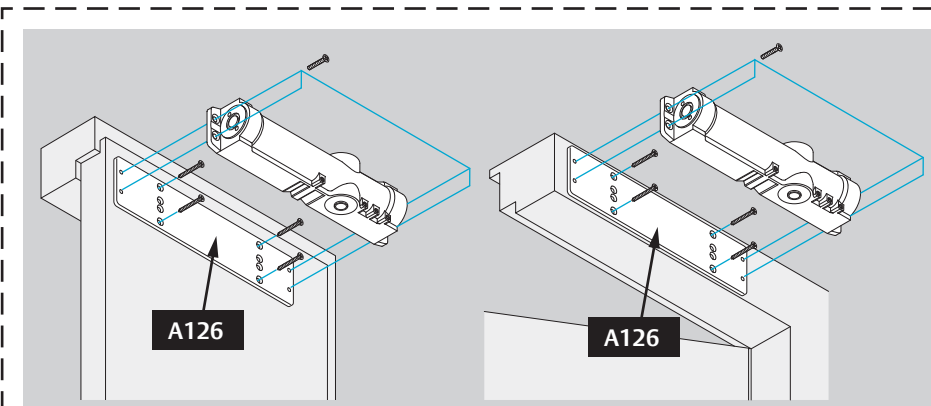
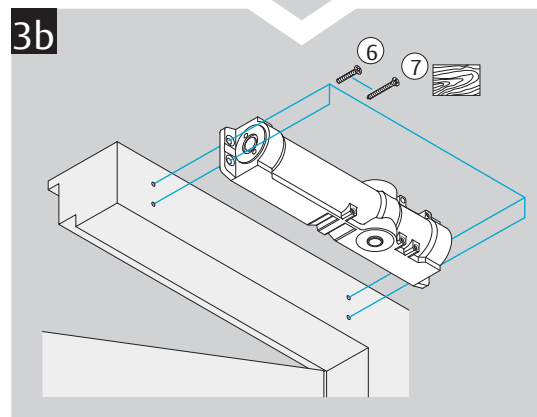
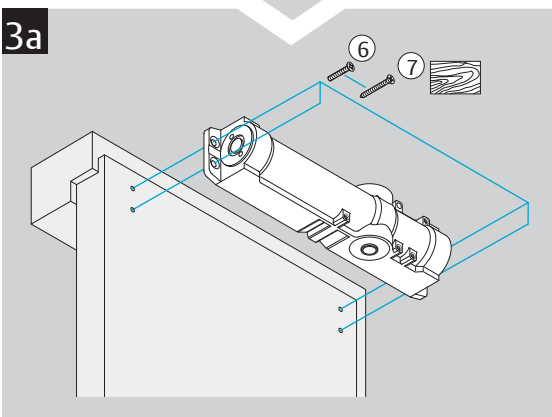
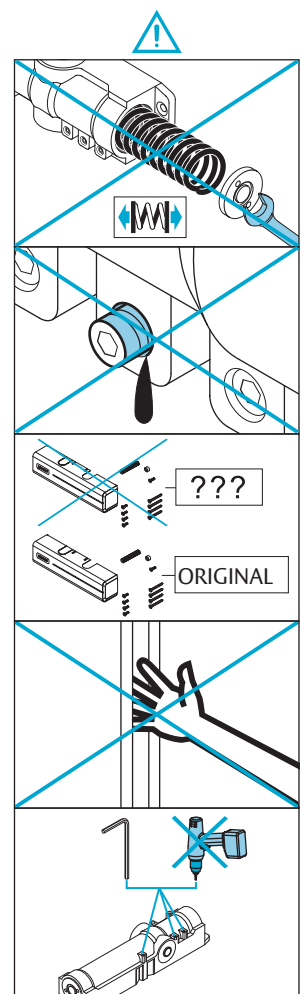
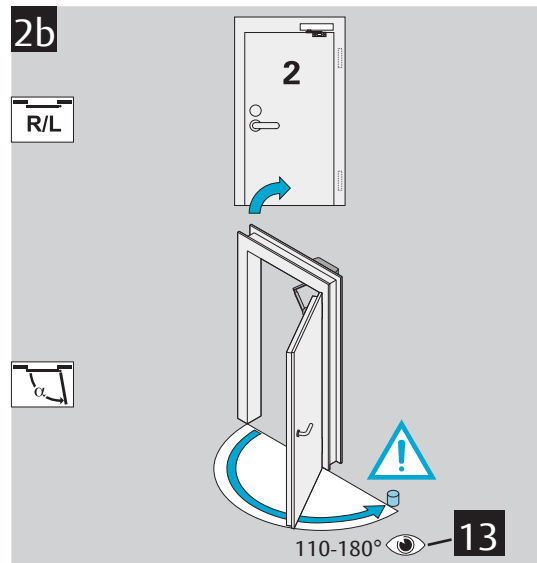
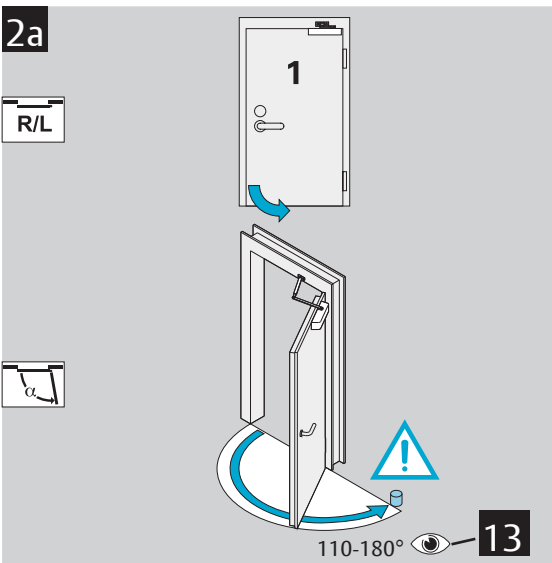
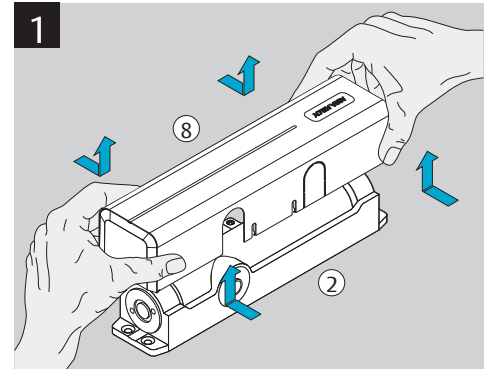
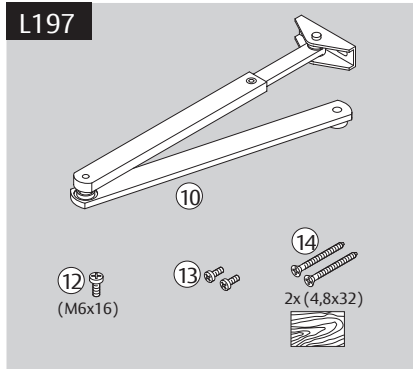
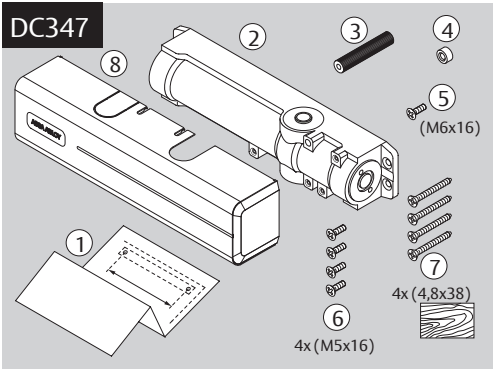
www.assaabloy.com/dop

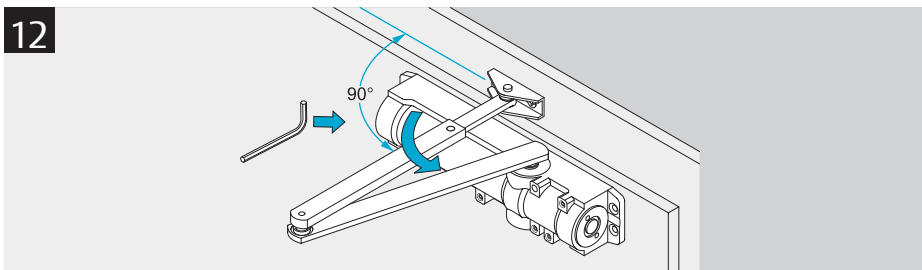
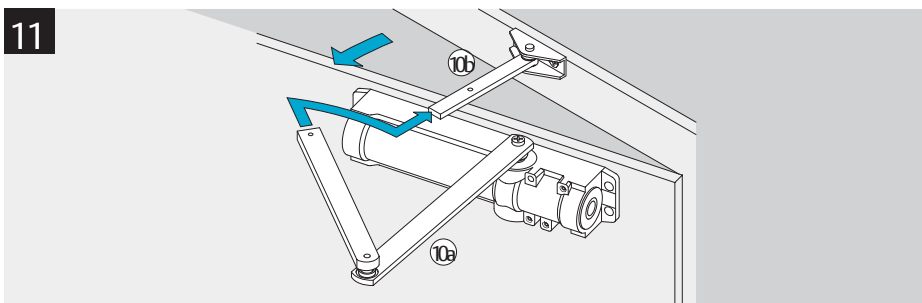
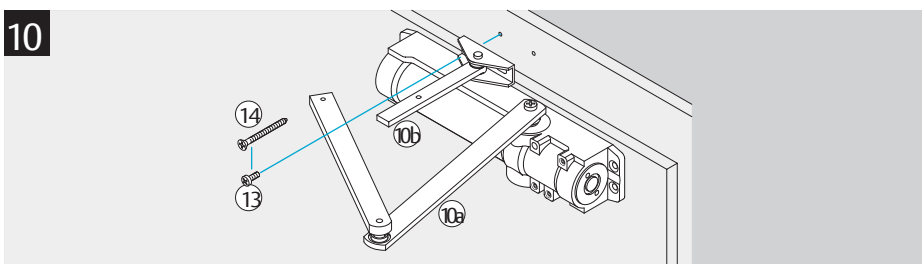
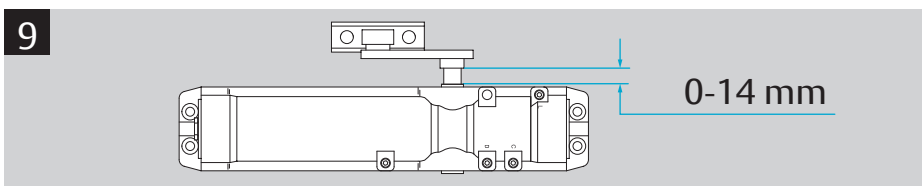
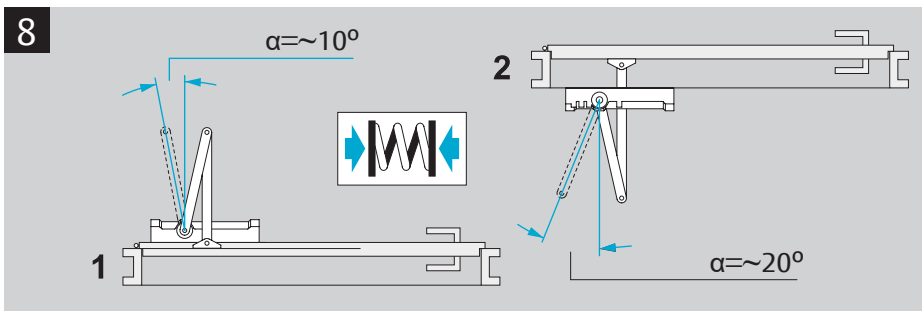
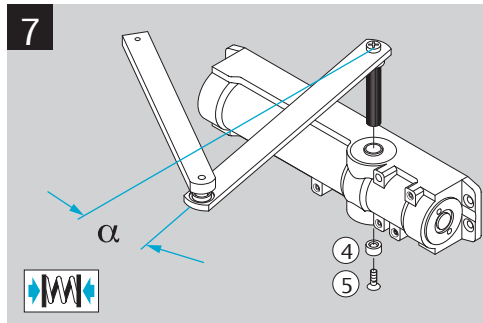
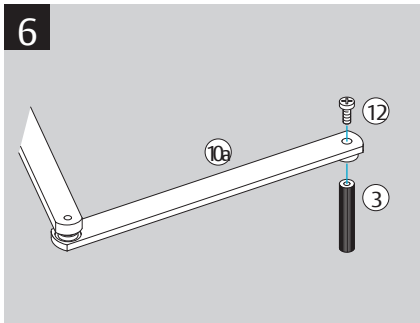
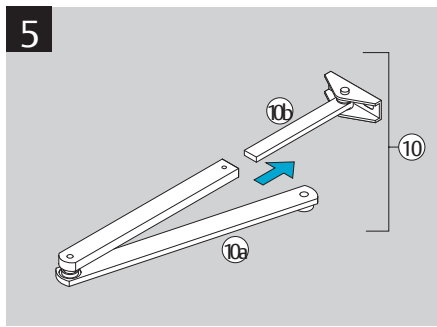
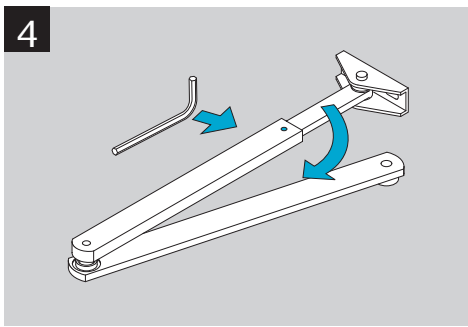


DoP



www.assaabloy.com/dop

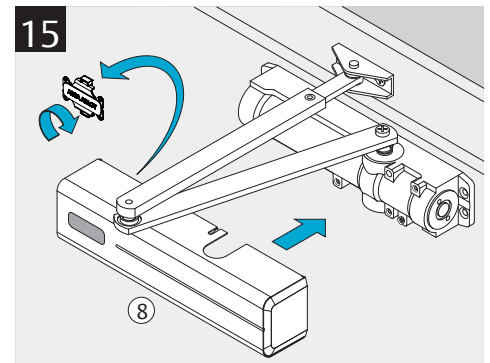
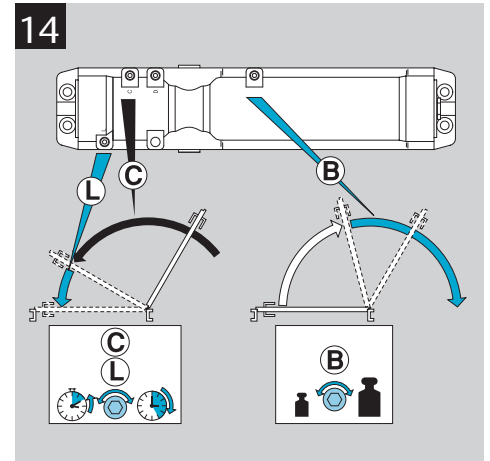




**13**

EN	5	6	7	max.
	0	3	10	17
	180°	180°	180°	110°

MAX.



CE	Abloy Oy, P.O.Box 108 80101 Joensuu Finland			16
Dangerous substances: None				

**ASSA ABLOY**

Abloy Oy  
P.O.Box 108  
80101 Joensuu  
FINLAND  
Tel.: +358-20 599 2501  
Fax: +358-20 599 2209  
www.assaabloy.com  
www.abloy.com/dop

6001009 21.2.2018