

DC500 Cam-Motion® DC500Basic Cam-Motion® DC700 Cam-Motion®

Installation Instructions

ASSA ABLOY

6006618



DoP



www.abloy.com/dop

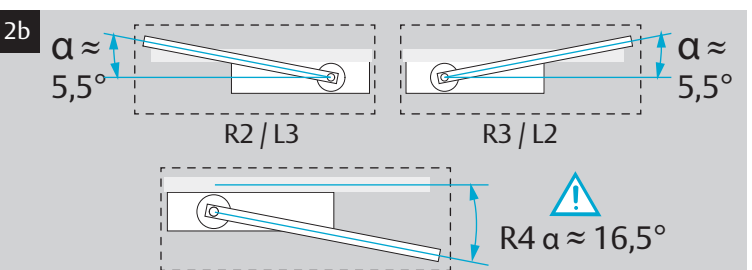
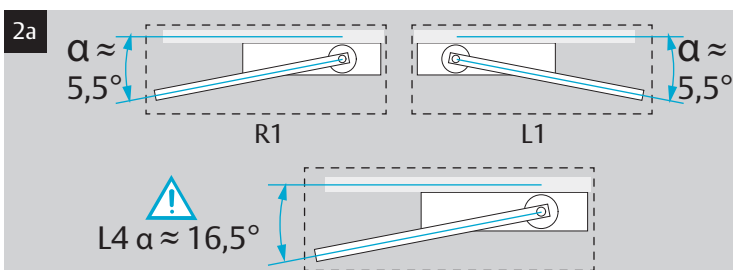
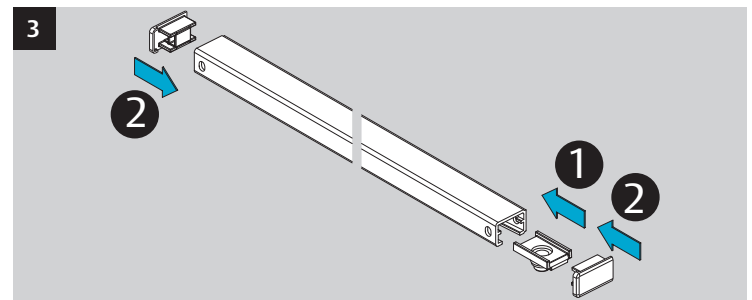
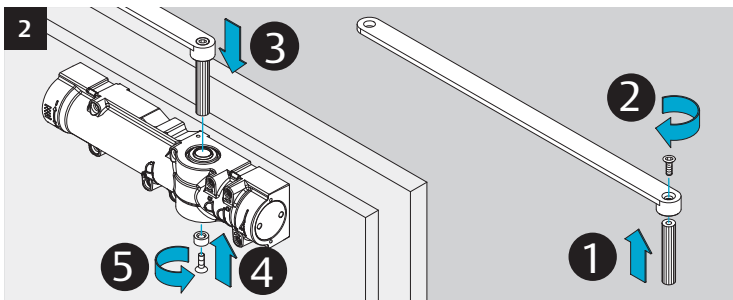
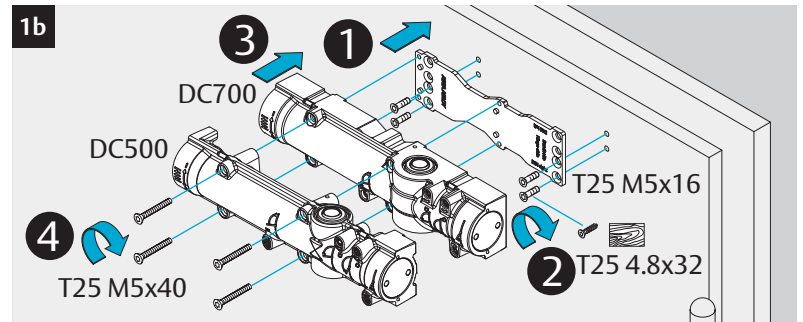
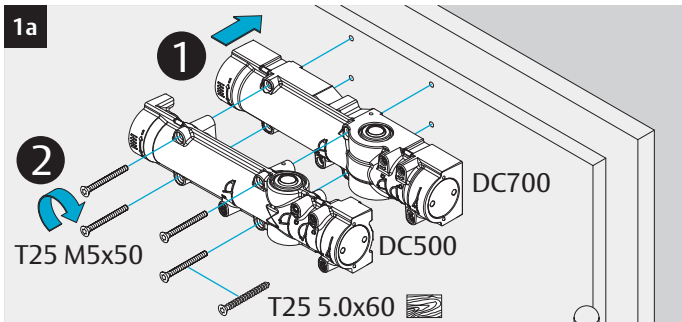
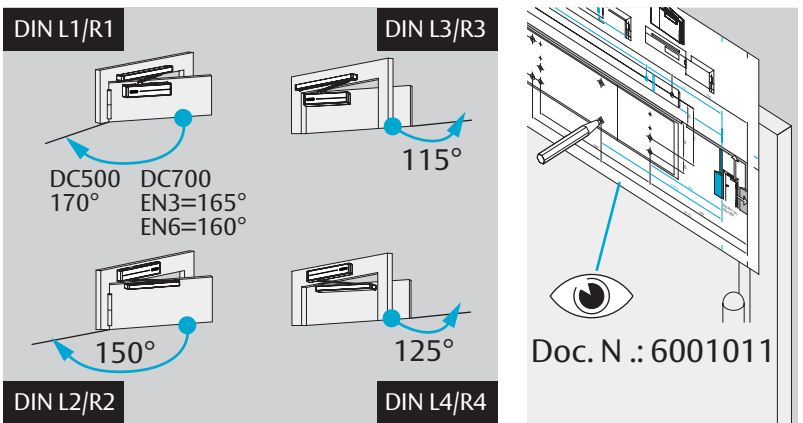
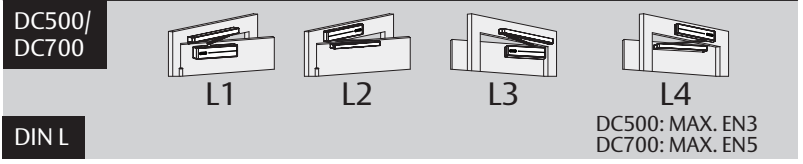
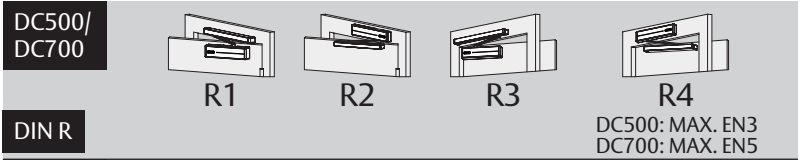
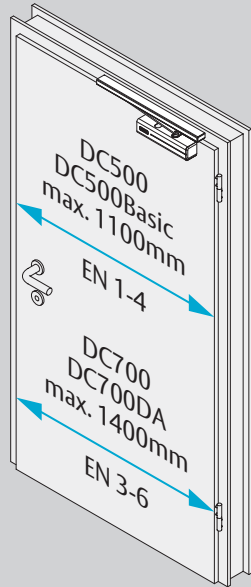


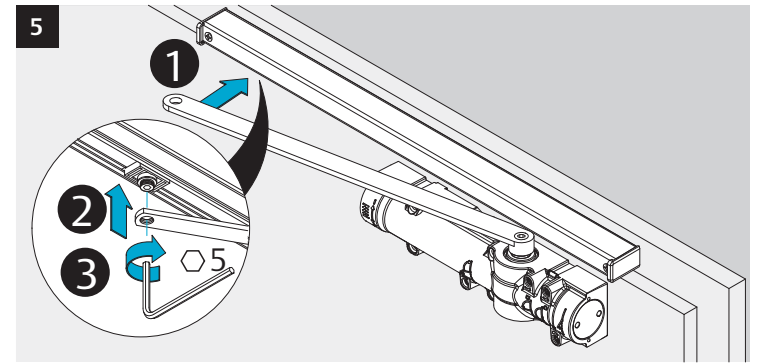
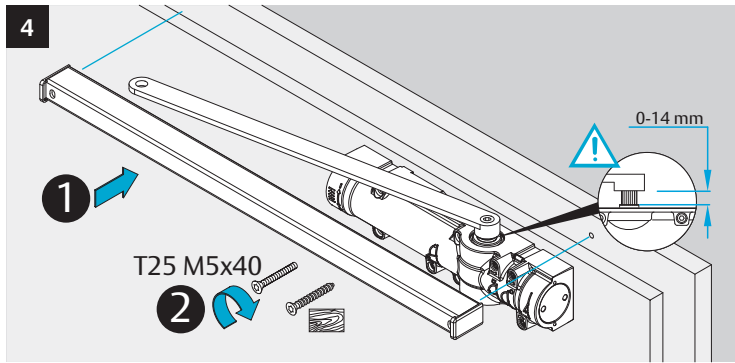
CE 2812	Abloy Oy, PO Box 108 80101 Joensuu Finland			16			
	DC500 DC500Basic				EN 1154:1996/A1:2002/AC:2006 2812-CPR-AD5241	3	8
Dangerous substances: None							

CE 2812	Abloy Oy, PO Box 108 80101 Joensuu Finland			16				
	DC700				EN 1154:1996/A1:2002/AC:2006 2812-CPR-AD5238	3	8	6
Dangerous substances: None								

CE 2812	Abloy Oy, PO Box 108 80101 Joensuu Finland			16				
	DC700DA				EN 1154:1996/A1:2002/AC:2006 2812-CPR-AD5239	3	8	6
Dangerous substances: None								

	EN1	< 750mm
	EN2	< 850mm
	EN3	< 950mm
	EN4	< 1100mm
	EN5	< 1250mm
	EN6	< 1400mm





6

min. EN3

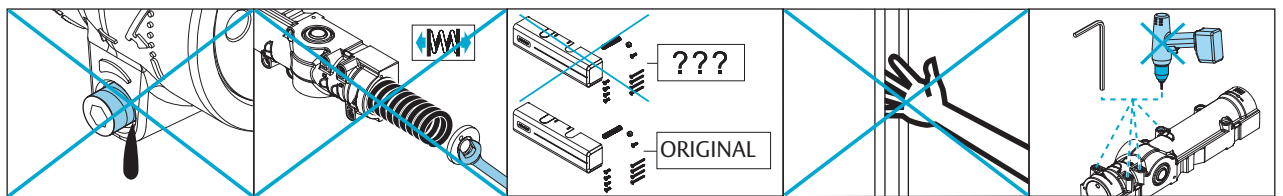
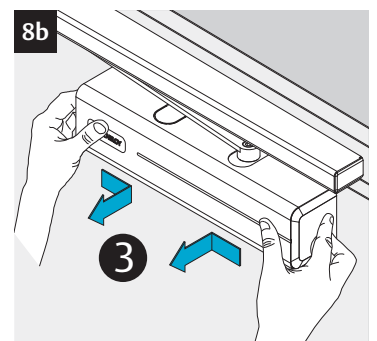
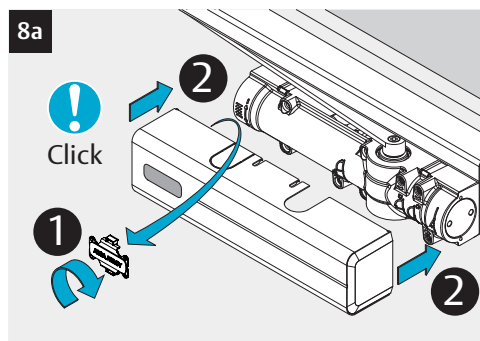
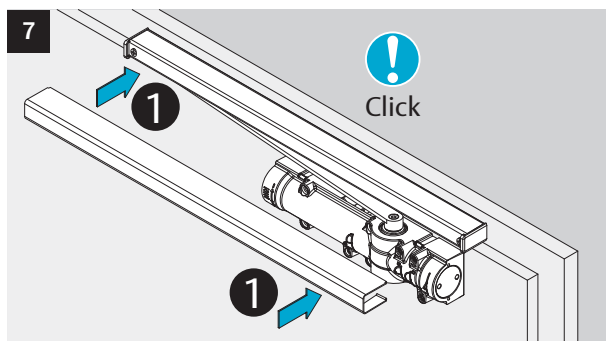
*= Factory Setting

	EN1	EN2	EN3	EN4	EN5	EN6
DC700	--	--	-1	0*	+3	+8
DC500	-5	-3	0*	+3	--	--

DC500: Min = -7 DC700: Min = -3

Option: DC700DA

Not on DC500Basic



ASSA ABLOY

Abloy Oy
P.O.Box 108
80101 Joensuu
FINLAND
Tel.: +358-20 599 2501
Fax: +358-20 599 2209
www.assaabloy.com
www.abloy.com/dop

1.4.2021