

Rack and pinion closer with link arm L190

Rack and pinion door closer with link arm

Product description

- Certified in compliance with EN 1154, size 3-6
- Rack and pinion closer with link arm L190
- Suitable for fire and smoke protection doors
- For single action doors up to 1400 mm wide

Overview of Advantages

- Can be used with concealed mounting plate, suitable for fire and smoke protection doors
- Can be used for left and right-handed doors
- Axis height adjustable up to 14 mm
- Closing speed, latching speed and backcheck adjustable via front facing regulating valves
- Thermodynamic valves for consistent performance
- Variable adjustable closing force
- Opening angle up to 180°
- Effective backcheck and latching speed range adjustable
- Accessories for established installation types
- Large range of applications
- Standard colours: silver EV1; white, similar to RAL9016; brown, similar to RAL8014; black, similar to RAL9005
- Customised finishes available on request

Characteristics for hold open link arm L191

- Hold-open angle adjustable up to 150°
- Hold-open mode can be enabled and disabled as required
- Same installation as link arm
- Cannot be used with fire and smoke protection doors

Characteristics of special model DC300DA

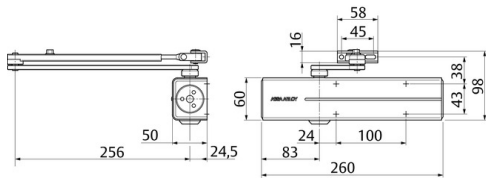
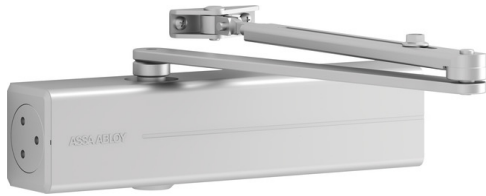
- Delayed closing variable from max. opening angle - 70°, adjustable from front
- Other features as in Model DC300

Accessories/Individual parts

- DCL190-----EV1- (Order number:)
- DCL190-----9016 (Order number:)
- DCL190-----8014 (Order number:)
- DCL190-----9005 (Order number:)
- DCL190-----XXXX (Order number:)
- DCL191-----EV1- (Order number:)
- DCL191-----9016 (Order number:)
- DCL191-----8014 (Order number:)
- DCL191-----9005 (Order number:)
- DCL191-----XXXX (Order number:)
- DCA120-----40 (Order number:)
- DCA123-----EV1- (Order number:)
- DCA123-----9016 (Order number:)
- DCA123-----8014 (Order number:)
- DCA123-----9005 (Order number:)
- DCA123-----XXXX (Order number:)
- DCA165-----EV1- (Order number:)
- DCA168-----EV1- (Order number:)
- DCA173-----35-- (Order number:)

The advantages at a glance

Customer segment	Advantages
Project planners	Extensive range of uses: Fire and smoke protection doors as well as standard doors Modern design Compact design Fulfils barrier-free building requirements Same dimensions and design with and without mounting plate Comprehensive functions, standard and optional
Builders	One drilling template overall Adjustable to nearly all door and frame types Quick and easy installation Quickly and easily adjustable Suitable for left and right handed doors, in both door and frame mounted applications



Trade	Reduced inventory costs due to modular product range One single product suitable for a large variety of mounting positions Complementary accessories available for the whole product range
User	Largely unaffected by temperature fluctuations because of thermodynamic valves Easier door opening and improved accessibility due to rapidly decreasing torque Backcheck feature offers optimum protection for doors and walls

Technical data

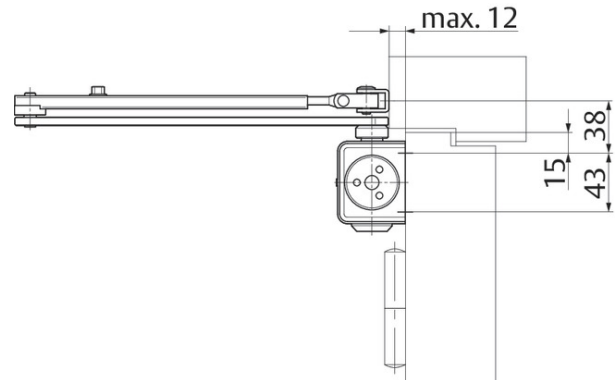
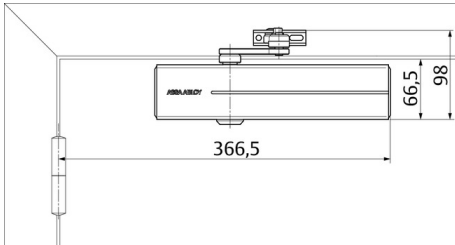
Closing force	EN 3-6
Door width up to	1400 mm
Suitable for fire doors	Yes
DIN direction	Left / right handed
Closing speed	Variable between 180°-15°
Latching speed	Variable between 15°-0°
Backcheck effect	Variable above 75°
Delayed closing	No
Hold-open mode (with hold-open link arm L191)	Adjustable 75°-150°, can be enabled and disabled
CE marking for building products	Yes
Certified in compliance with	EN 1154
Length	260 mm
Height	60 mm
Depth	50 mm
Weight	1.9 kg

Variants that can be ordered

Order number	Description
DC300-----DEV1-	EN size 3-6, silver EV1
DC300-----D9016	EN size 3-6, white, similar to RAL9016
DC300-----D8014	EN size 3-6, brown, similar to RAL8014
DC300-----D9005	EN size 3-6, black, similar to RAL9005
DC300-----DXXXX	EN size 3-6, customised finish
DC310-----DEV1-	with delay action, size 3-6, silver EV1
DC310-----D9016	with delay action, size 3-6, silver EV1
DC310-----D8014	with delay action, size 3-6, silver EV1
DC310-----D9005	with delay action, size 3-6, silver EV1
DC310-----DXXXX	with delay action, size 3-6, silver EV1

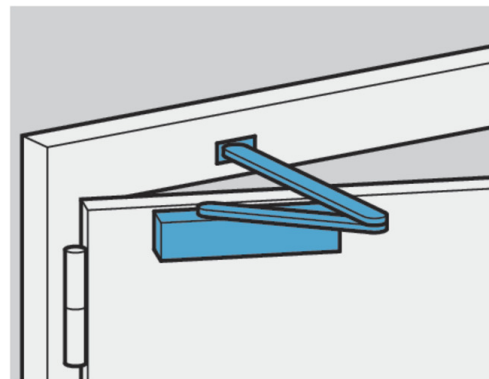
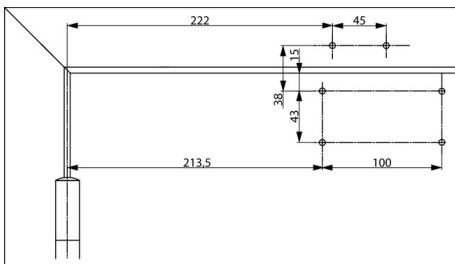
view construction

Required space on doors

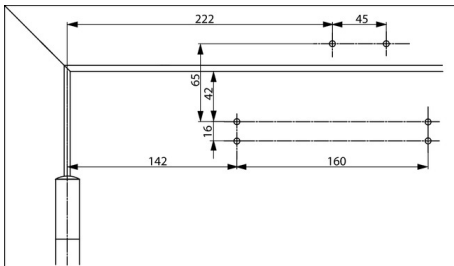


Left handed shown in diagram
Right handed is the reverse

Installation dimensions for direct mounting



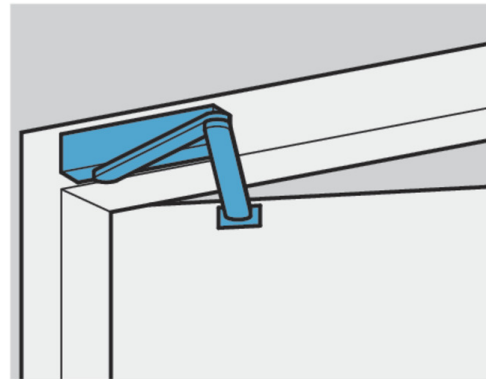
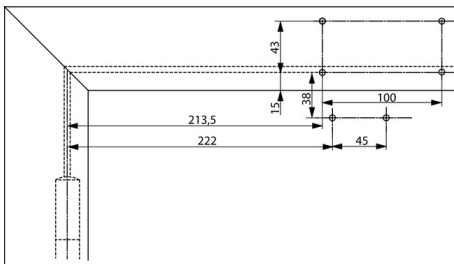
Left handed shown in diagram
Right handed is the reverse

Installation dimensions with mounting plate

In compliance with EN 1154, Supplement 1, or for doors where direct mounting is not possible.

Left handed shown in diagram

Right handed is the reverse

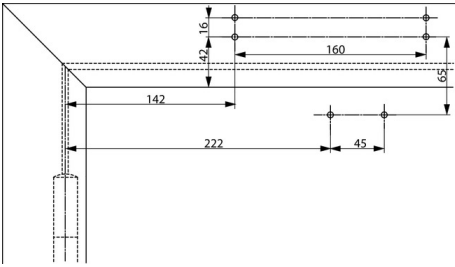
Frame mounting

Closer on non-hinge side of door frame

Right handed door shown in diagram

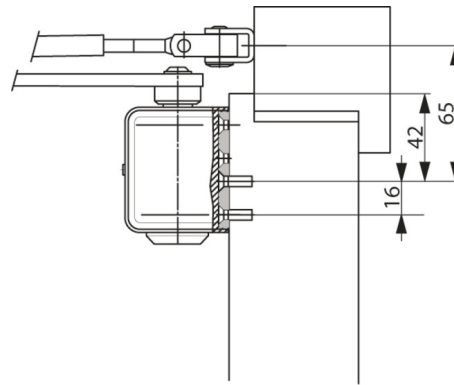
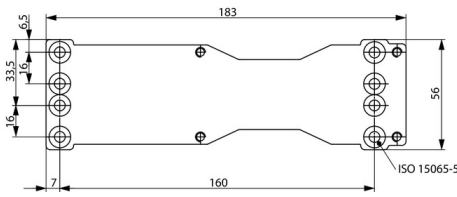
Left handed door is the reverse

Installation dimensions with mounting plate for frame mounting



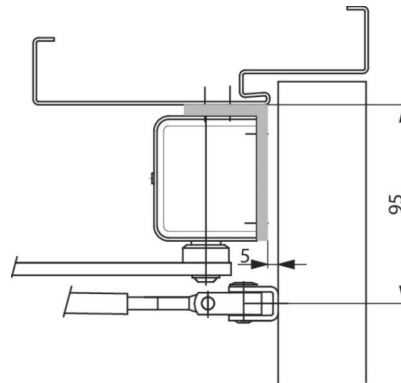
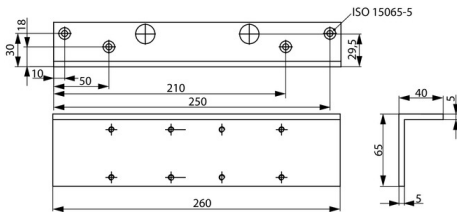
Closer on non-hinge side of door frame. For doors where direct mounting is not possible.
Right handed door shown in diagram
Left handed door is the reverse

Mounting plate A120



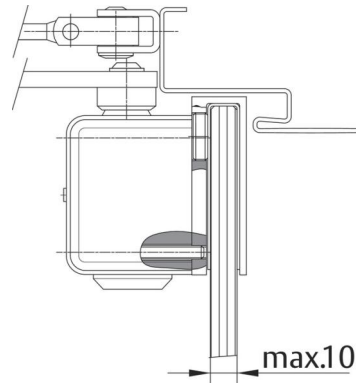
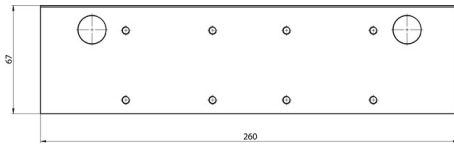
For mounting with drilling template acc. to EN 1154 Supplement 1 (fire and smoke protection doors) and for universal use

Angle bracket A123



For frame mounting in case of deep jamb, headroom reduced by 70 mm.
Check suitability for use on fire and smoke protection doors.

Glass door shoe A165



For mounting the door closer on the all-glass door leaf.