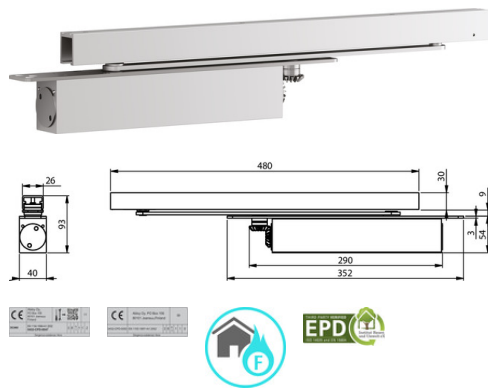


Concealed door closer with Cam-Motion® technology and guide rail with electro-mechanical hold-open device for single leaf doors

Concealed door closer with Cam-Motion® technology and guide rail with electro-mechanical hold-open device



Product description

- Concealed door closer with Cam-Motion® technology and guide rail with electro-mechanical hold-open device for single leaf doors
- Guide rail is certified in compliance with EN1155, size 3-6
- Closer is certified in compliance with EN1154, size 1-5
- Barrier-free in accordance with DIN18040 for door width up to max. 1250mm
- Meets the requirements of DIN SPEC 1104 / CEN15894
- Suitable for fire and smoke protection doors
- For single action doors up to 1250 mm wide
- DIBt approval with different smoke detection systems

Overview of Advantages

- Concealed electro-mechanical hold-open device
- Continuously adjustable holding force
- Can be used for left and right-handed doors
- Closing speed and latching speed adjustable from top facing regulating valves
- Hold-open angle continuously adjustable between 80° - 120°
- Built-in backcheck
- Thermodynamic valves for consistent performance
- Large range of applications
- Versions with 4 mm and 8 mm spindle extensions
- Standard colours: silver EV1
- Customised finishes available on request

Note

- Concealed guide rail G880
- Facts for door closer see DC860

Accessories/Individual parts

- Produktname fehlt (Order number: DCA101-----)
- Produktname fehlt (Order number: DCA102-----)
- Hold-open device A114for double doors (NOT applicable with fire doors)For guide rail G881 (Order number: DCA114-----)
- Smoke detector A177Silver EV1 (Order number: DCA177-----)
- Opening damper A191For guide rail G881 (Order number: DCA191-----)
- Mounting plate A162For Door Closer Models DC840/DC860, galvanised (Order number: DCA162-----40)
- Fire protection A193 A193For DC860 (Order number: DCA193-----)

The advantages at a glance

Customer segment	Advantages
Project planners	Extensive range of uses: Fire and smoke protection doors as well as standard doors Fulfils barrier-free building requirements (EA / CEN TR 15894) Comprehensive functions, standard or optional
Builders	Quick and easy installation Quickly and easily adjustable Suitable for left and right handed doors
Trade	Reduced inventory costs due to modular product range One single product suitable for a large variety of mounting positions Complementary accessories available for the whole product range
User	Easier door opening and improved accessibility due to rapidly decreasing torque Largely unaffected by temperature fluctuations because of thermodynamic valves

Technical data

Rated current consumption	60 mA
Required power supply	24 V DC
Continuous duty	100 % ED
Suitable for fire doors	Yes

DC860 with G880

Concealed door closer with Cam-Motion® technology and guide rail with electro-mechanical hold-open device for single leaf doors

Certified in compliance with	DIN EN 1155 / 1154
CE marking for building products	Yes
Length	493 mm
Height	30 mm
Depth	26 mm

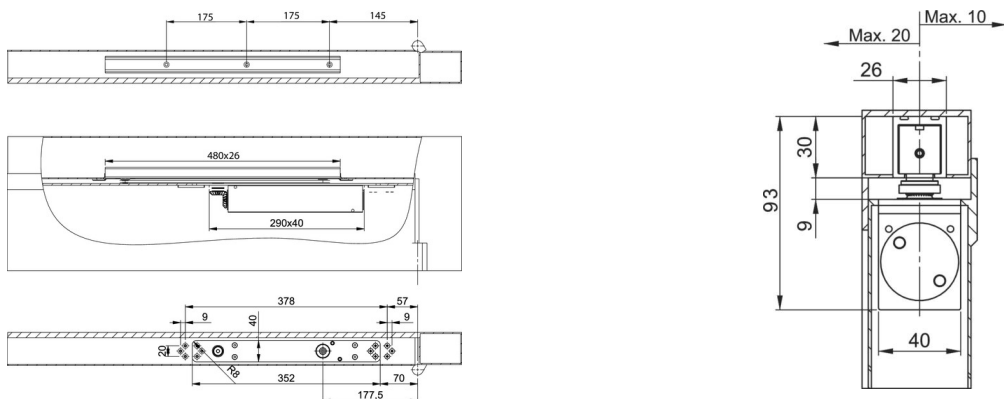
Variants that can be ordered

Order number	Description
DCG880-----EV1-	With electric hold-open device, silver EV1
DCG880-----XXXX	With electric hold-open device, customised finish

Concealed door closer with Cam-Motion® technology and guide rail with electro-mechanical hold-open device for single leaf doors

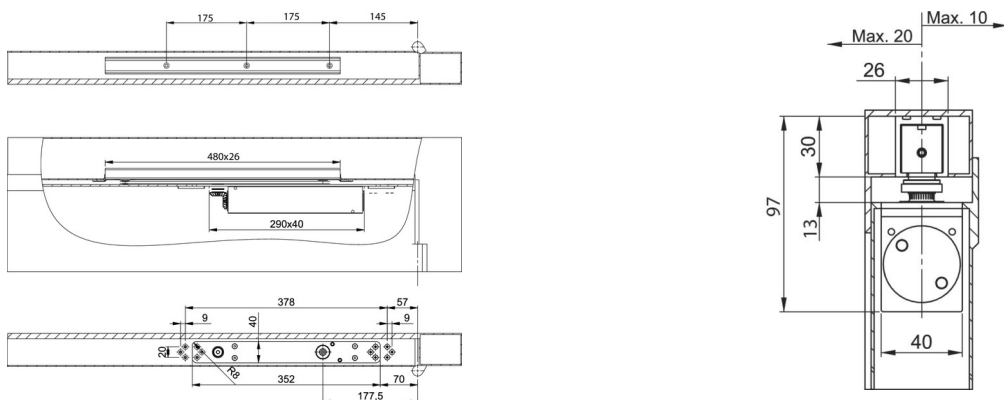
view construction

Installation dimensions



Right handed door shown in diagram
Left handed door is the reverse

Installation dimensions with 4 mm axis extension

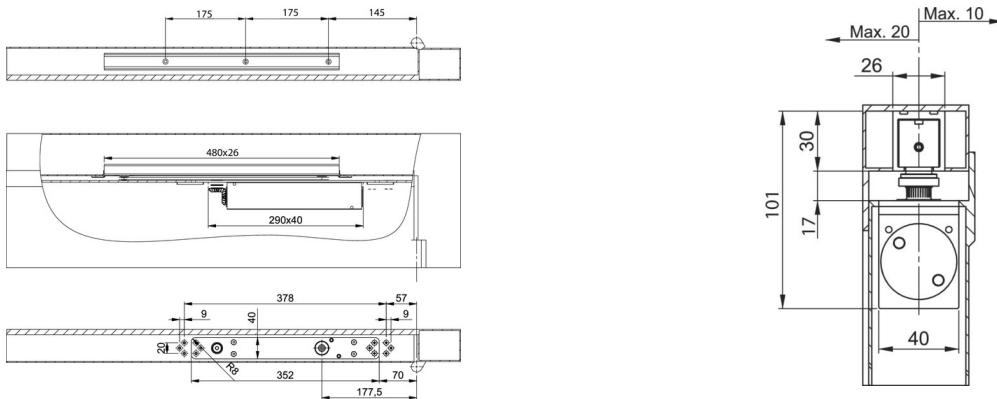


Right handed door shown in diagram
Left handed door is the reverse

DC860 with G880

Concealed door closer with Cam-Motion® technology and guide rail with electro-mechanical hold-open device for single leaf doors

Installation dimensions with 8 mm axis extension



Right handed door shown in diagram

Left handed door is the reverse