

Magnetic Locks and Bolts

External Magnet - Armlock 291

The Adams Rite Door magnet range are surface mounted direct pull magnets that are used as part of an access control system for electric locking applications.



To facilitate remote access and exit control of any external gate/barrier.

Key Benefits

- Maintains a magnetic holding force of at least 540kg (1190lbs)
- Offers durability and low maintenance
- Compact case size and clean aesthetic
- Independently tested to achieve an ingress protection rating of IP67
- Built in voltage spike suppressor
- User selectable dual voltage - 12 or 24vDC
- Reed switches monitoring as standard
- Dual fixing positions to suit both side and face fix applications
- Suitable for use on aluminium, timber and steel doors
- Guarantee 3 years

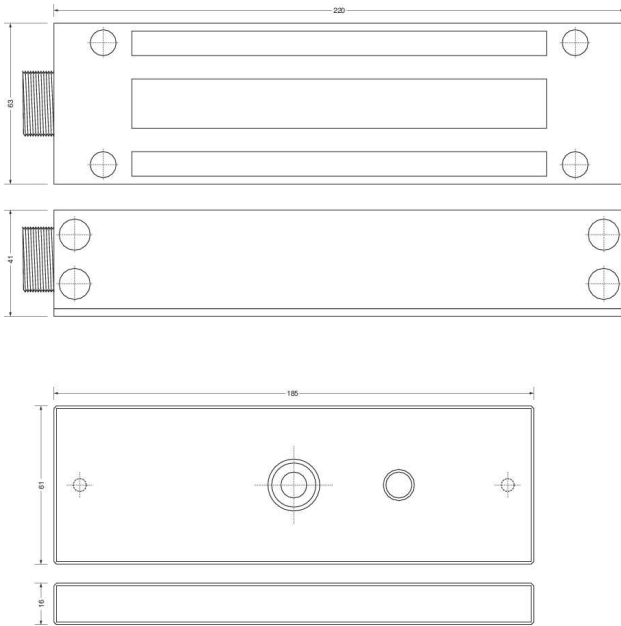
Related Hardware

RiteKey Keypad ~ Power Supply Unit

Magnetic Locks and Bolts

External Magnet - Armlock 291

Specification



Magnet:	220mm x 63mm x 41mm.
Armature:	185mm x 61mm x 16mm.
Nominal Holding Force :	540kg (1190lbs).
Supply Voltage:	12 or 24vDC ($\pm 15\%$). Dual coil.
Nominal Current:	500mA @ 12vDC, 250mA @ 24vDC. Built-in voltage spike suppressor.
Monitoring:	Reed switch
Door Gap:	Maximum 3mm (1/8").
Positioning:	Side and face fix application.
Magnet Housing:	Stainless steel
Cable Length:	1m
IP Rating:	Independently tested, rated IP67 (assuming that wiring is protected by conduit and connector)
Note:	To achieve immediate release, it is important that the release switch breaks the circuit on the positive supply to the magnet.

Ordering Information

291-005	EXTERNAL GATELOCK MONITORED IP67
291-800	Z BRACKET KIT FOR 291 MAGNET SAA